

# **SEERS**

## **USER MANUAL BOOK**

# **3** *Seconds* **HOT WATER DISPENSER**

MODEL : STF-V1200



Please read the manual carefully before using this product

Dear User:

Sincerely thank you for choosing SEERS's 3 Seconds Hot Water Dispenser product. Please read the user manual book thoroughly before using this product. If you have any queries during installation do not hesitate to contact our local dealer or SEERS's service center.

## PRODUCT FEATURES

- ◆ **3 Seconds Instant Hot Water Supply**  
This product uses SEERS core Nano hydro isolation water heating technology. Instant preboil water is continuously available within 2-5 seconds as and when is required.
- ◆ **Innovation Technology, Safe to drink**  
Thorough sterilization during instantaneous heating process, this product overcome traditional water dispensers disadvantages such as low temperature, reboiling, furring and other impurities metal particles.
- ◆ **Health, Safety, Energy Saving and Eco Friendly**  
All components in this product is complied to relevant country drinking water health and safety standard. The power consumption saving is approximately 98% for standby state and 50% energy saving compares with other traditional dispenser for keeping warm state.

## SPECIFICATION

Model	STF - V1200
Capacity	2.7 L
Rated Voltage	AC 220 - 240 V
Rated Frequency	50/60Hz
Rated Power	2200 - 2600 W

# OPERATING INSTRUCTION / PRODUCT STRUCTURE

## LOCK BUTTON

Press 3 seconds to unlock, Hot Water Dispenser will be automatic locked within 10 seconds.

## ENTER BUTTON

Start and stop function setting.

## 40°C BUTTON

Press and hold for warm water and stop when release.

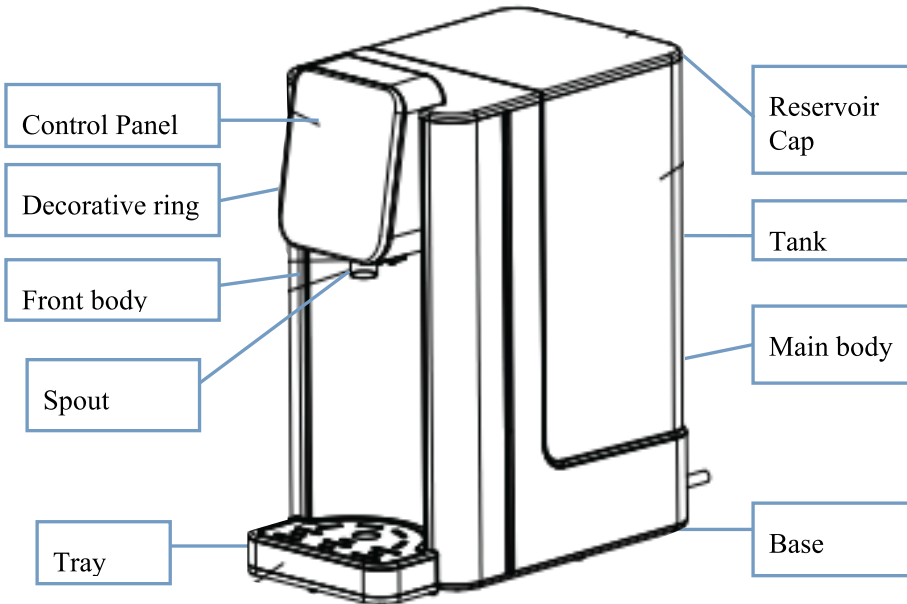
## ADJUSTABLE TEMPERATURE BUTTON

Desired temperature at  
45 °C, 55 °C, 65 °C, 75 °C, 85 °C, 100 °C.

Note: Code will be 000  
(normal temperature water)

## LITRE BUTTON / 92°C BUTTON

100ml, 200ml, 300ml, 400ml.  
Note: 000(continuously flow)



## SAFETY PRECAUTIONS

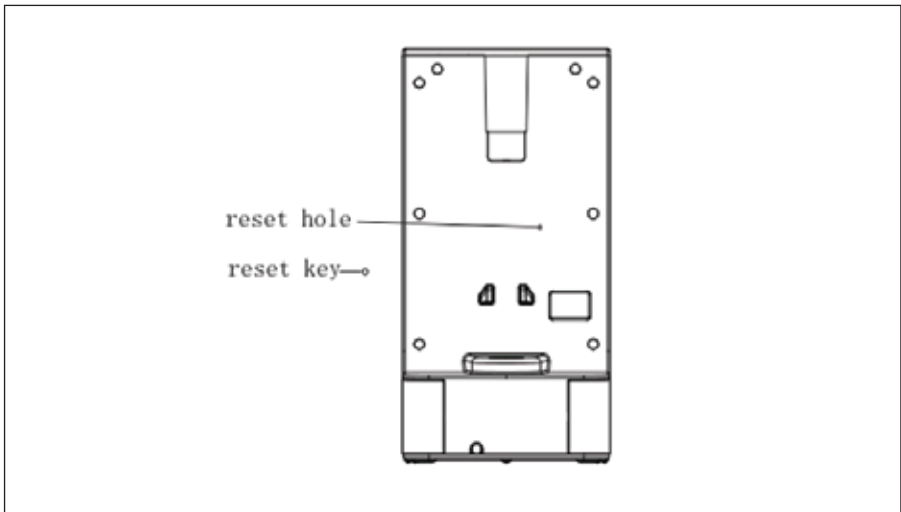
1. Any attempt to disassemble, repair or make alteration to the appliance by non-competent personnel may result in function abnormality, fire hazards, electrical shock and severe damages. Replacement or modification of power supply cord is strictly prohibited.
2. Use AC 220-240V power supply only. Do not plug in or unplug the power cord during operation.
3. Do not reverse the vertical standing position. Avoid chassis in contact with moisture or water submersion to prevent electrical shock and short circuit.
4. Isolate the power supply and empty the water reservoir during prolonged stoppage while using the appliance.
5. Strictly for water only; do not use for ice, juice, soup, semi liquid, flammable liquid and etc.
6. Warning! Keep away from hot water outlet after switching on the power; it may take 2 to 5 seconds for hot water to dispense in accordance to raw water temperature.
7. Hot water flow may continue for 1 to 2 seconds after switching off; kindly switch off upon filling 3/4 of the cup and remove cup when hot water flow is completely stopped.

## USER GUIDE

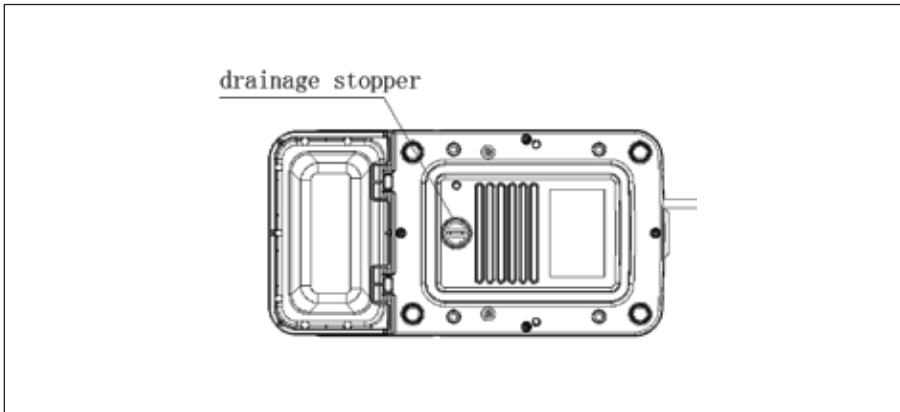
1. Always switch off and unplug your water dispenser and allow it to cool completely before cleaning.
2. Do not immerse the appliance into any liquid to avoid the damage.
3. To maintain it's performance, suggest to descale the appliance at least once every months. Please use the toxic free detergent such as citric acid, to add come citric acid into water as to 1% proportion, and operate always the appliance about three times, the scale will be get rid of completely. After the completion, please pour out the all boiled water in water tank and add pure water to operate the appliance twice before you drink.
4. Do not use any chemical, metal, wood or abrasive detergent to clean the appliance housing, always use a damp cloth.
5. Always handle the appliance gently, do not place it near the edge of the table and the counter, to protect against the deform or function damage in case it fall down from the table accidentally.
6. This appliance is intended to be used in household and similar application such as:
  - staff kitchen areas in shops, offices and other working environments;
  - farm houses;
  - by clients in hotels, motels and other residential type environments;
  - bed and breakfast type environments.
7. Calibrating of temperature and water volume If you found the temperature and water volume is not so accurate, You can calibrate as below:  
Fill water in tank till max level,press and hold the "Temp" button for 3 seconds,the temperature display will show "AUT", the flow volume will display "000", press "On/Off" button before locking.The appliance enters the adjusting mode: from 45-55-65-75-85-100 sequential adjustment and automatically exit after completion.The time is about 4-5 minutes.The water will flow out from the dispensing nozzle during the process. Put a large container under the spout.

## OPERATION GUIDELINES

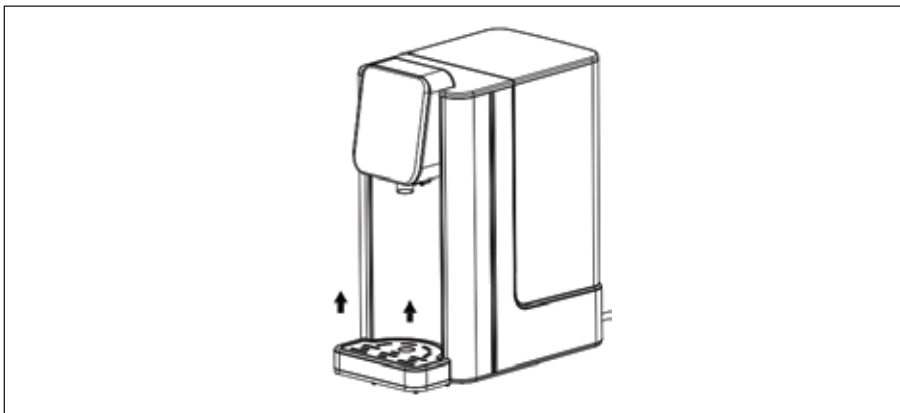
1. **Cleaning:** Remove the buffer tank to clean the water reservoir. And replace back the buffer tank when completed.
2. **Fill water:** Open the lid and remove the buffer tank. Fill the reservoir with water not exceeding the maximum level. Apply the same procedure for a new unit or a fully emptied appliance.
3. **Control Panel:** Press the Lock button for about 3 to 5 seconds to unlock the appliance. Press the Temp button to choose 000 degree setting. Press Litre button to choose 000 volume setting. After dispensing out unheated water, please choose 100 degree Temp setting and 000 Litre setting to operate the appliance for 1 minute until the detection of boiling point is finished. The appliance is ready for use - set the Temp and Volume to desired settings.
4. **Dry Boiling Protection:** When water tank out of water, the appliance will automatically power off to prevent dry boiling and the indicator light will be on. Top-up water to normalise the appliance function.



The appliance have manual thermostat to recover the heating function for unexpected operation, you can reset the thermostat by pressing a reset button.



After cleaning the appliance, please open the drainage stopper in order to clean up wastewater. Note: tighten the drainage stopper after opening it.



Dispose excess water from tray.

**CAUTIONS:**

1. Always fill up water to maximum level for first use after cleaning or the reservoir was emptied.
2. Avoid frequent activation of dry run protection. Refill water when level is low.
3. This appliance is not intended for use by persons (including children) with reduced physical, sensory or mental capabilities, or lack of experience and knowledge, unless they have been given supervision or instruction concerning use of the appliance by a person responsible for their safety.
4. Children should be supervised to ensure that they do not play with the appliance.

## TROUBLESHOOTING

Kindly be informed that the following symptoms are normal.

1. There will be a slight sound while heating in process.
2. When surrounding temperature or water temperature is low, heating time may be extended.
3. Occasional drips of water at nozzle is normal.
4. Bubbles may appear at buffer tank when water level is at minimum.

### Self-Checking

Symptoms	Possible Causes	Remedy
System not operating	<ol style="list-style-type: none"> <li>1. No incoming power</li> <li>2. Water shortage</li> <li>3. Dry run protection float device entangled</li> </ol>	<ol style="list-style-type: none"> <li>1. Check incoming plug connection.</li> <li>2. Refill water</li> <li>3. Check float device in normal position.</li> </ol>
Hot water low flow High steam discharge	<ol style="list-style-type: none"> <li>1. Water shortage</li> <li>2. Buffer tank misplaced</li> <li>3. Poor water quality, impurities blockage.</li> <li>4. Dry run protection float device entangled.</li> </ol>	<ol style="list-style-type: none"> <li>1. Refill water</li> <li>2. Fix buffer tank in position</li> <li>3. Apply filtration process</li> <li>4. Check float device in normal position.</li> </ol>
Abnormal noise	Appliance tilted on unstable surface.	Place appliance on flat surface.
Dry Run Indicator	Water shortage alarm.	Refill water.
Excessive Steam without Hot Water	Pump faulty.	Contact service centre.
No Hot Water Flow	Heating system faulty.	Contact service centre.

## PRODUCT LIST

3 Seconds Hot Water Dispenser - 1 , Water Tray - 1 , Tray Cover - 1 , Power Cord - 1 , User Manual Book - 1 , Warranty Card -1



Environment friendly disposal

You can help protect the environment!

Please remember to respect the local regulations:

hand in the non-working electrical equipments to an appropriate waste disposal center.

## **SEERS BERHAD**

No. 4, Jalan Utarid U5/18A, Seksyen U5,  
40150 Shah Alam, Selangor Darul Ehsan,  
Malaysia.

Tel: +603-7842 2871 Fax: +603-78439971

Email: [sales@seers.com.my](mailto:sales@seers.com.my)

Website: [www.seers.com.my](http://www.seers.com.my)

\*Rights reserved for design and technical changes without prior notice.