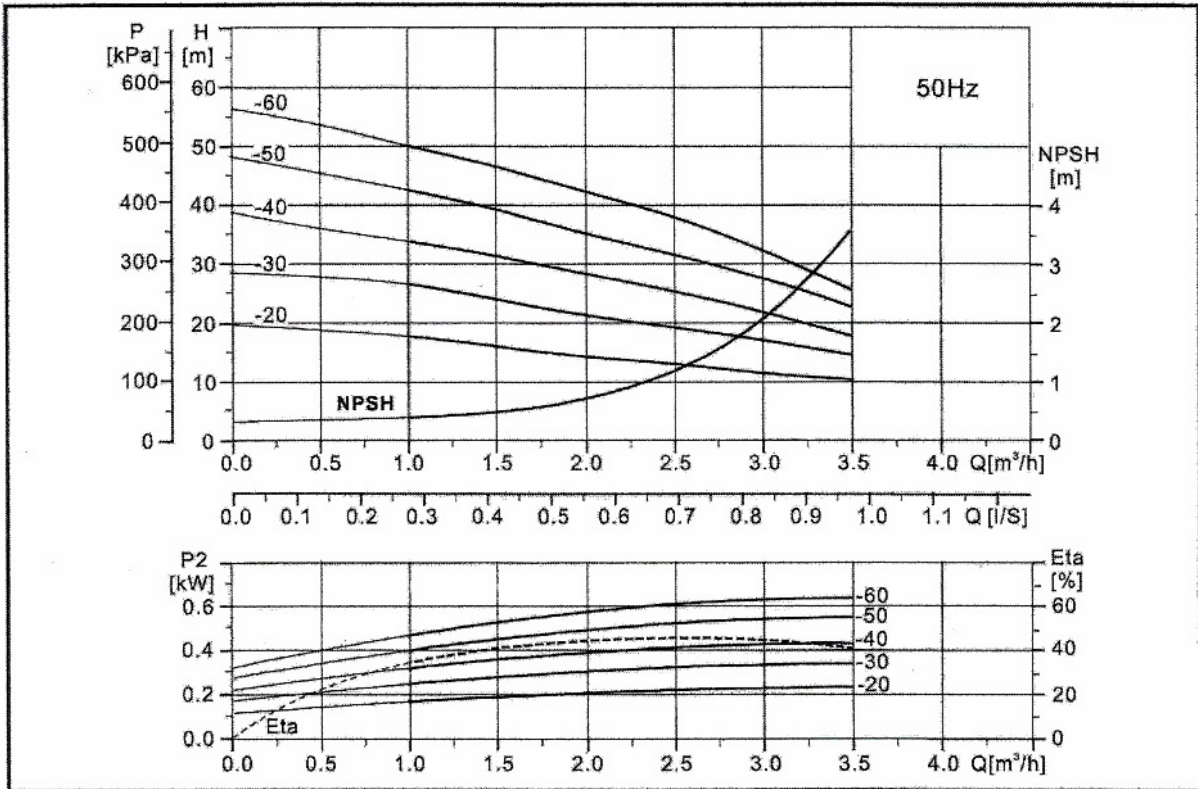


Technical Data



SE2-SERIES

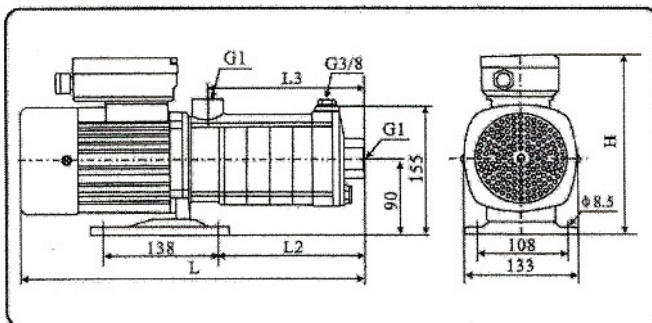
Performance curve



Performance table

Model		Driving motor P ₂ (kW)	Q (m³/h)	H (m)					
Single Phase	Three Phase			1.0	1.5	2.0	2.5	3.0	3.5
2-20	2-20T	0.37	H (m)	18	16	14	13	11	10
2-30	2-30T	0.37		27	24	21	20	17	14
2-40	2-40T	0.55		35	32	28	26	23	17
2-50	2-50T	0.55		43	40	35	33	28	22
2-60	2-60T	0.75		50	48	42	38	32	25

Installation sketch



Model	Size(mm)								Weight (kg)
	Single-phase				Three-phase				
	L	L2	L3	H	L	L2	L3	H	
2-20(T)	326	90	100	210	326	90	100	190	8.5
2-30(T)	344	108	118	210	344	108	118	190	9
2-40(T)	362	126	136	210	362	126	136	190	9.5
2-50(T)	380	144	154	210	380	144	154	190	9.5
2-60(T)	398	162	172	210	398	162	172	190	10.5