

# SEERS

## HOT WATER SYSTEM OPERATION MANUAL



**SI-100L**

**SI-150L**

**SI-200L**

**SI-300L**

**SI-500L**

THE  
**MALAYSIA**  
BOOK  
of **RECORDS**

**IMPORTANT:**  
PLEASE READ THESE INSTRUCTIONS  
BEFORE USE AND RETAIN FOR  
FUTURE REFERENCE

## TROUBLESHOOTING

Symptoms	Causes	Remedy
<b>System Not Operating</b>	1. No Supply Or Bad Contact Point.	Inspect for proper Supply as Label.
	2. Internal Fault.	Contact Service Counter.
	3. Overheat Protection Activated.	
<b>Low Water Temperature or No Hot water</b>	1. Insufficient Heating Time.	Wait of completion of heating process.
	2. Low Setting Temperature.	Adjust Setting.
	3. Temperature Controller Faulty.	Contact Service Counter.
	4. Heat Module faulty	
<b>Water Leakage</b>	1. Loose fitting connection	Contact service Counter.
	2. Storage Tank Damage	

Remark : Drawings are subject to change without prior notice .

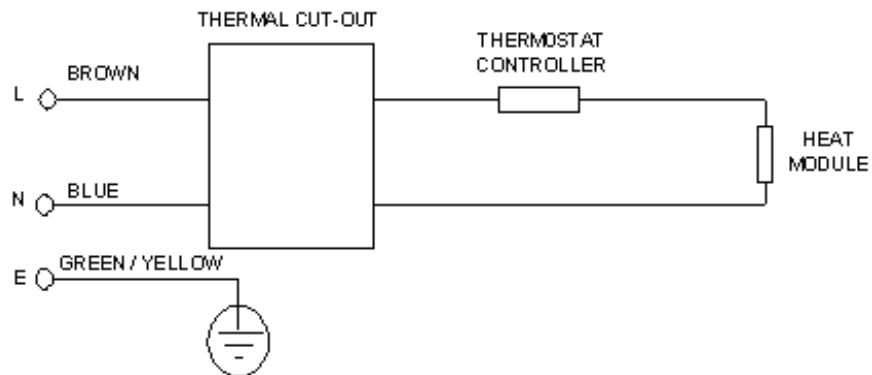
# HOT WATER SYSTEMS OPERATION MANUAL

Models	SI – 100L	SI – 150L	SI-200L	SI – 300L	SI – 500L
Specification					
Diameter Ø of Hot Water Tank	470mm	470mm	560mm	600mm	700mm
Total Tank Height	1085mm	1465mm	1375mm	1610mm	1878mm
Weight of Empty Tank (Nett Weight)	28kg	36kg	45kg	65kg	96kg
Weight of Filled Tank (Gross Weight)	33kg	41kg	50kg	70kg	101kg

## CONTENTS

WARNING .....	2
SECURITY CHARACTERISTICS.. .....	3-4
ELECTRICAL INSTRUCTION.....	5
PRODUCTION SPECIFICATION .....	6
INSTALLATION.....	6-7
DIMENSION & WEIGTH.....	7-8
ELECTRICITY DIAGRAM.....	8
TROUBLESHOOTING.....	9

## ELECTRICITY DIAGRAM



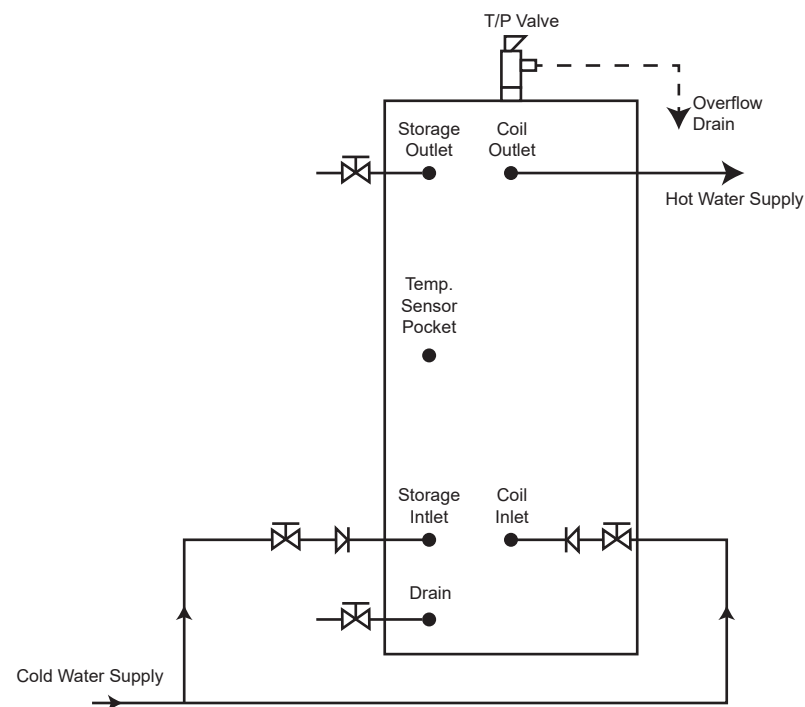
[www.seers.com.my](http://www.seers.com.my)

## WARNING

1. Read instruction before installation.
2. Do not store highly volatile and flammable materials near or on the water heater. For example, thinners, alcohol and petrol. They are liable to explode or catch fire.
3. To prevent damage to the outer casing, avoid contact with paints and solvents.
4. When cleaning the Hot Water Unit, do not splash water directly on the casing or into the interior of the unit. This may lead to rusting and deterioration of the electrical and electronic components of the system.
5. When cleaning any areas adjacent to the hot water unit, switch off the hot water unit first to prevent electric shock.
6. Should the Hot water unit accidentally be immersed in water, please switch off the power and contact your nearest SEERS approved service agent.
7. Do not attempt to change or modify the Hot Water Unit as this may result in fire, electrical shock or injury.
8. Always contact your SEERS authorized service agent if the unit has malfunction or has been damage. Do not attempt to fix the unit as this will void your warranty and may cause electrical shock or injury.
  - a) Water storage heater shall not be operated without a pressure relief valve.
  - b) Pressure relief valve shall be fitted in the installation.
9. The PT Valve is a safety device design to release excess water during at over pressure (0.7 MPa) or over temperature conditions. Do not seal or block the outlet.
10. Do not tamper or modify the PT Valve as this may lead to explosive rupture of the Hot water tank.
11. Activate the PT valve to release water regularly to prevent lime deposit blockage. Water may drip from the discharge pipe of the pressure relief device and hot water discharge pipe shall be left open to the atmosphere.
12. Special screw applied on access door, only authorized personal is allowed to access.

- (7) Connect the water supply pipes at cold water inlet and allow the unit to be filled up Hot water discharge pipe connecting the pressure relief device is to be installed in a continuously downward direction and in a frost free environment. Hot water outlet is to be connected to hot water distribution piping.
- (8) Check all pipe connections do not leak.
- (9) It is recommend that in the initial Start Up to wait at least 30 min upon standing the water tank in the vertical position before turning the power on.
- (10) To drain out water, tighten supply water stop valve and disconnect water inlet fitting joints. Pull trigger of pressure relief valve to release water.

## DIMENSION & WEIGHT



## PRODUCT SPECIFICATION

1. Input supply : 220-240Vac / 50Hz
2. Power : 3000watts
3. Water Storage Tank : Stainless Steel SUS316
4. Operating Pressure : 6.5 Bar
5. Water tank Insulation : Polyurethane (PU)
6. Installation : Vertical Standing Only
7. Water inlet & outlet : 1" / 25mm BSP fittings  
(for 100L & 150L & 200L & 300L units)  
: 1¼" / 32mm BSP fittings (for 500L units)
8. Circulation inlet : ¾" BSP External fittings

## INSTALLATION

SEERS HYBRID HOT WATER SYSTEM is a centralized hot water system that uses a single inlet point to distribute hot water throughout the house. The requirements for installation are the provision of a cold water outlet and a hot water inlet. The hot water system shall be installed indoors. The unit is free standing and a wall bracket is supplied to keep the Hot Water firmly braced in the vertical position.

To install the water heater;

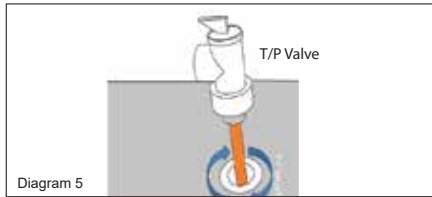
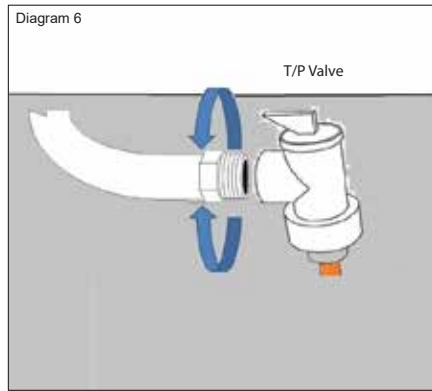
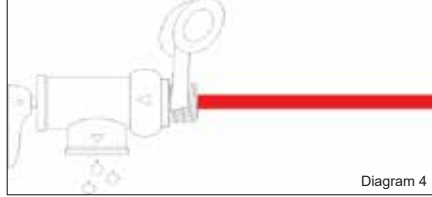
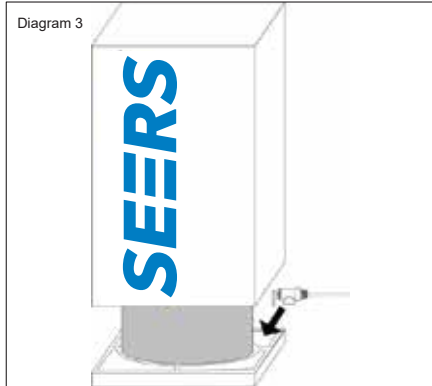
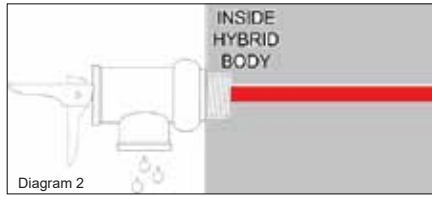
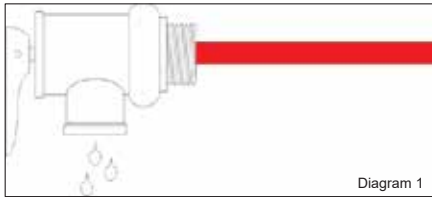
- (1) Make sure the location for the water heater is in an accessible location near the water and power outlets.
- (2) Affix the wall bracket to the water heater
- (3) Position the water heater in a stable area and ensure that the water heater is standing vertical, align wall bracket to the wall or roof columns.
- (4) Mark the locations of the mounting screws.
- (5) Remove the wall bracket from the water heater and secure the wall bracket to the wall.
- (6) Secure the water heater to the bracket

## SECURITY CHARACTERISTICS

1. Security Valve: This electrical water heater fits a mono-directional security valve. It must be installed at the cold water inlet sector of this unit of the electrical water heater. When the tank's pressure is over 0.7 MPa, this valve will automatically trigger. Excessive pressure or steam will be drained out thru pipe connected. (Diagram 1)

**Note:** For the interior-ventilating styled security valve, its pressure Leakage exit sector may not exits the water drops to drip down. Otherwise, during the heating procedure, the water-entering pipe's outer cover under the safety valve may have a certain temperature. This belongs to the normal conditions. This indicates that it is internally-draining the leakage pressure.

2. If need to make the tank empty, first close the water-entering valve, open the water-exiting valve. Then remove security valve with tools. Lift up the handle; let the water in the tank naturally flow out. (Diagram 2)
3. For safety valve instruction;-
  - Remove the valve from the packing (diagram 3)
  - Fit the white tape for leaking protection (diagram 4)
  - Fix the valve follow the direction until tighten (diagram 5)
  - Affix the hot water discharge pipe (diagram 6)



## ELECTRICAL INSTRUCTION

The heater must be permanently connected to the electricity supply through a double pole linked switch having a contact separation of at least 3mm in all poles incorporated in the circuit and out of reach from the person using the shower.

1. The use of plug and socket is not recommended
2. The appliance must be earthed
3. All wiring must confirm to local requirements. The installation must be done by qualify electrician.
4. Power cable size should be  $2.5\text{mm}^2$ -  $4.0\text{mm}^2$

